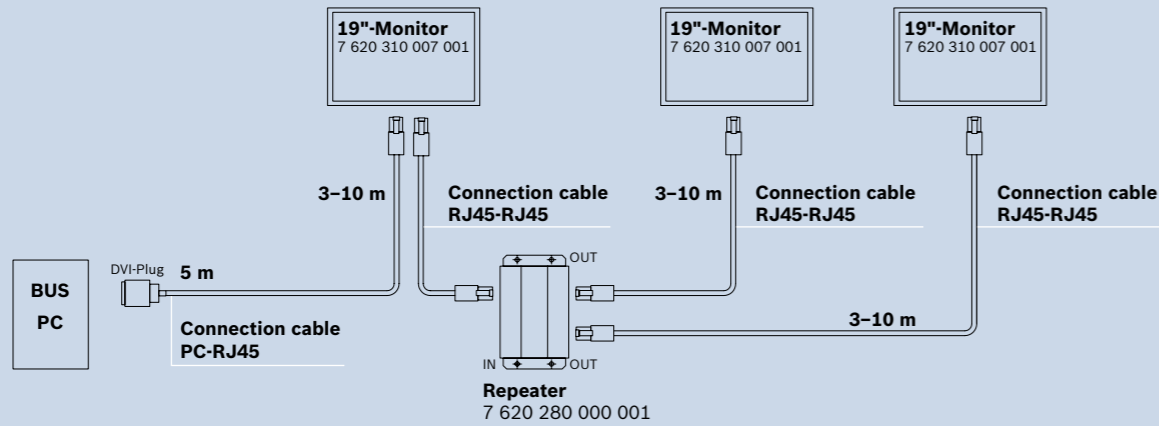
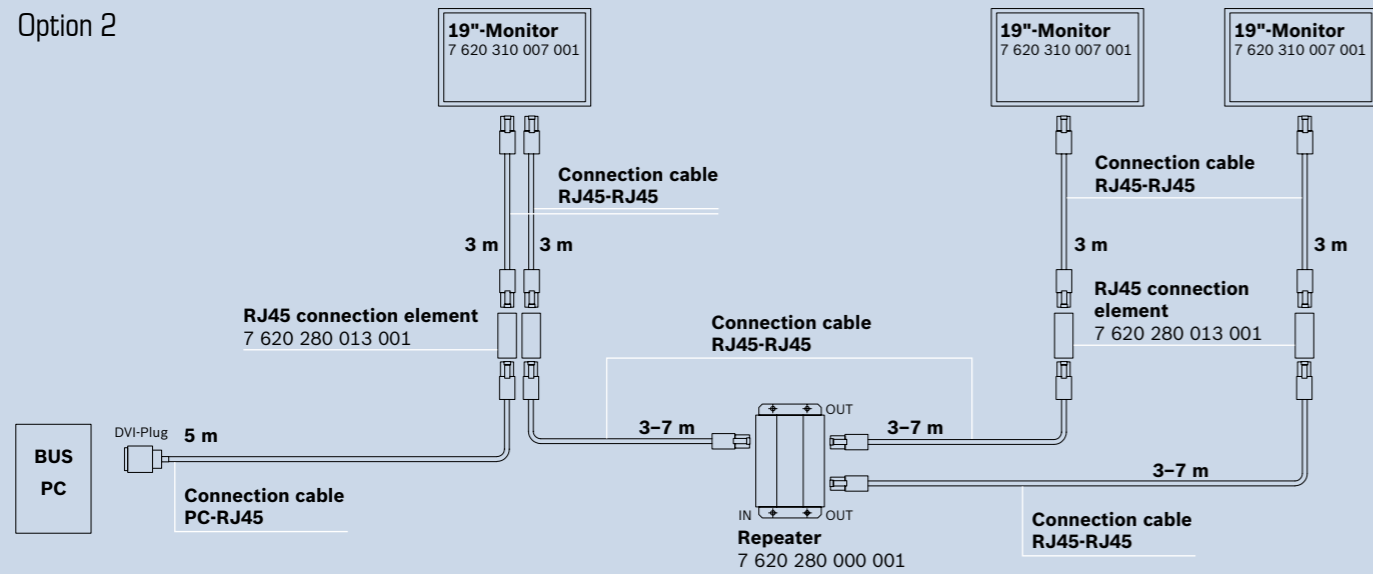


# Connection Options: Overview

Option 1



Option 2



coach@blaupunkt.de  
www.blaupunkt-professional-systems.com  
Hotline: 0180 5000 225

Subject to technical modifications.



Infotainment System  
for Public Transport

exPress



## DVI – Infotainment System

### Top features:

- Crystal-clear image transmission across large distances – thanks to DVI technology
- Individual combinations of system components
- Development of special cable solutions to meet transmission requirements of city busses
- Easy system integration thanks to use of small RJ45 connectors (e.g. when laying cables through grip bars)
- The connection and mounting concept used was developed specifically for use in city busses

**BLAUPUNKT**

The advantage in your car.

**BLAUPUNKT**

The advantage in your car.

# Infotainment System for City Buses: Overview

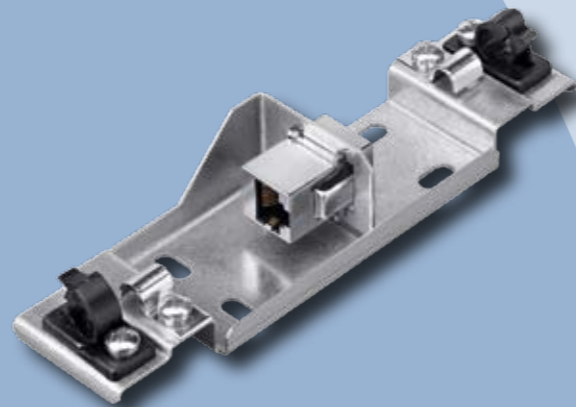
## 19" DVI LCD monitor

- Connects to standard DVI interface
  - Cascadable thanks to integrated repeater
  - Optimized for applications in city
  - 16:10 image format
  - Viewing angle (h/v):  $\pm 80^\circ/\pm 80^\circ$
  - Resolution: 1440 x 900 pixels
- Order number: 7 620 310 007 001**



## RJ45 connection element

- For easy cable connection thanks to defined cable handover points
- Order number: 7 620 280 013 001**



## Power cable

- For supplying power to the repeater and the monitors, available with a length of 3 m
- Order number: 7 620 280 011 001**



## PC cable

- Optimized image quality with integrated chip in the connector, available with a length of 3 m
- Order number: 7 620 280 005 001**



## Repeater

- For high-quality signal transmission over cable networks > 10 m
  - Flexible use to suit individual system requirements: offers two outputs for signal distribution
- Order number: 7 620 280 000 001**



## Connection cables

- Available in the following lengths
- 3 m  
**Order number: 7 620 280 007 001**
- 4.5 m  
**Order number: 7 620 280 008 001**
- 7.0 m  
**Order number: 7 620 280 009 001**
- 10.0 m  
**Order number: 7 620 280 010-001**